



Electrolux
PROFESSIONAL

Handling System
Storage table with 4 legs with
wheels, 1000x800mm

ITEM # _____

MODEL # _____

NAME # _____

SIS # _____

AIA # _____



865417 (BHSTW)

Free standing sorting table
with 4 legs and wheels,
1000x800 mm

Short Form Specification

Item No. _____

Constructed in 304 AISI stainless steel. N. 4 square
40x40mm tubular legs.

4 tubular legs with wheels.

Construction

- All surfaces smooth with polished finish.
- Receiving tabletop with raised side edges all-round, reduces the possibility of crockery being pushed off the table.
- Constructed in AISI 304 stainless steel with square 40x40mm legs.
- Mounted on wheels.

Sustainability



- Optional extras: plain tray slider, cutlery chute or additional scraping hole.

Optional Accessories

- Floor fastening kit for 2 square legs PNC 865386

APPROVAL: _____

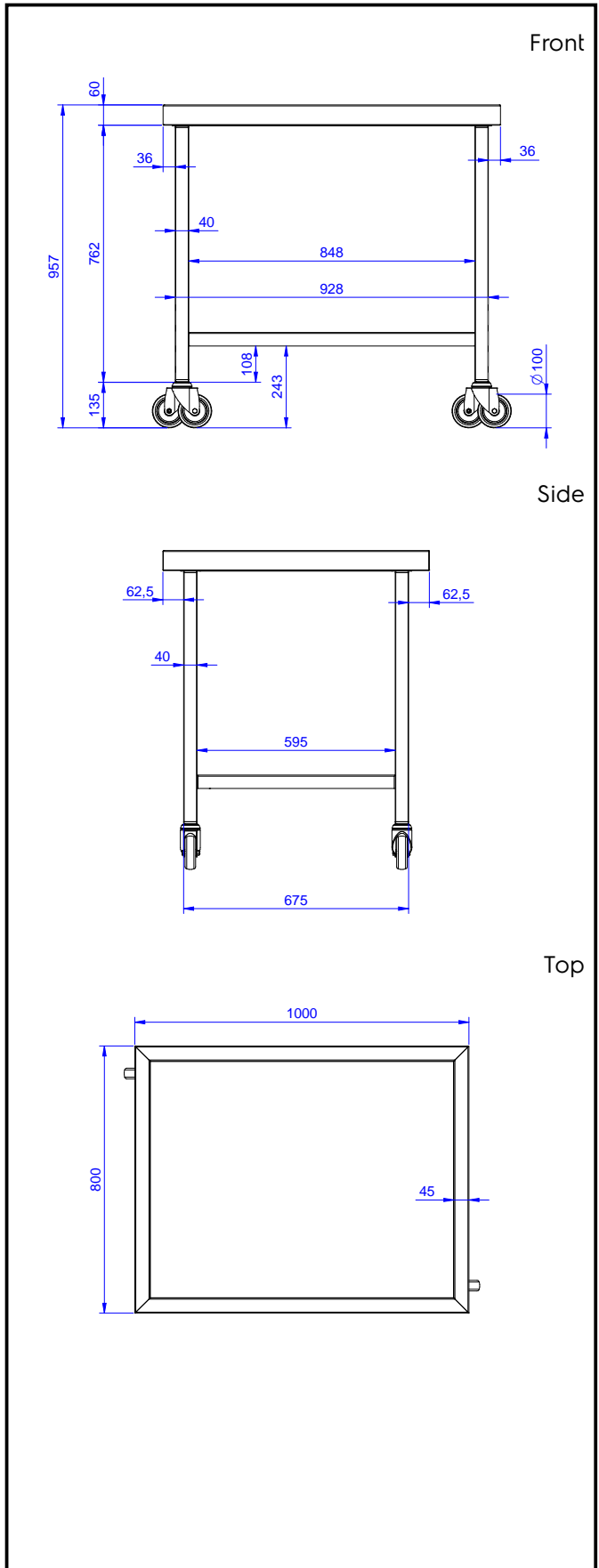


Experience the Excellence
www.electroluxprofessional.com



Key Information:

External dimensions, Width: 1000 mm
865417 (BHSTW)
External dimensions, Depth: 800 mm
External dimensions, Height: 910 mm
Net weight: 30 kg



Handling System
Storage table with 4 legs with wheels, 1000x800mm

The company reserves the right to make modifications to the products without prior notice. All information correct at time of printing.